

**Edition  
November 2010**

CONINVERS GmbH  
Heisenbergstr. 1  
D-71083 Herrenberg  
Postf./P.O. Box 1325  
D-71072 Herrenberg  
Phone: +49 (0) 70 32/92 74-0  
Fax: +49 (0) 70 32/92 74-330  
[www.coninvers.com](http://www.coninvers.com)  
[info@coninvers.com](mailto:info@coninvers.com)

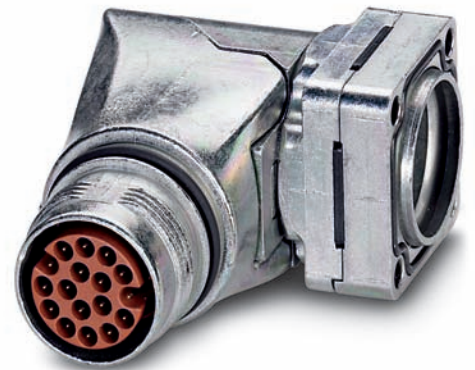
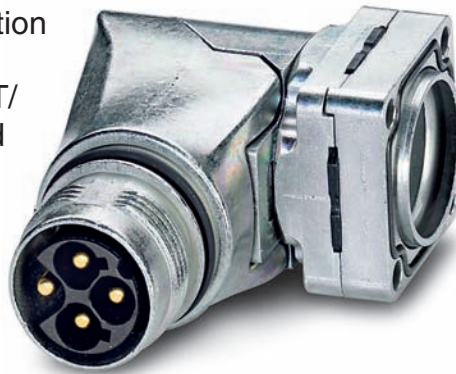
## M17 Panel Mounting Connectors

### Angled rotary housing now for M3 mounting

Thanks to its very compact design, M17 panel mounting connectors are a space-saving solution for the electrical connection of smaller drive units or for electrical connections in confined installation situations. The M17 range for signal or power applications (ST/P20 series) has been expanded accordingly for adaptation to the respective application.

Now there is a variant with larger mounting holes available. The angled rotary panel mounting connectors, with flange dimensions of 25 mm x 25 mm, are now also available with 4 holes ( $\varnothing$  3.2 mm) for M3 mounting screws. This way, interchangeability on motor drilling patterns with the classical M23 receptacle is possible.

The new articles are listed below. The mechanical and electrical data of the ST/P20 series documented in the product catalog also applies to the new panel mounting connectors.



M17 power and signal panel mounting connectors with flange dimensions 25 mm x 25 mm now with holes with  $\varnothing$  of 3.2 mm for M3 mounting screws

The former rotary M17 panel mounting connectors with mounting holes ( $\varnothing$  2.7 mm) in the flange dimensions of 21.6 mm and 25 mm are still available, unchanged.

# Newsletter – Signal/Power Connectors

## M17 – ST/P20 Series

Panel mounting connectors angled rotatable,  
flange dimensions 25 mm x 25 mm,  
mounting bores  $\varnothing$  3.2 mm



M17 panel mounting connector angled rotatable,  
for male contacts

M17 panel mounting connector angled rotatable,  
for female contacts

### ST..P1N8AAE00S

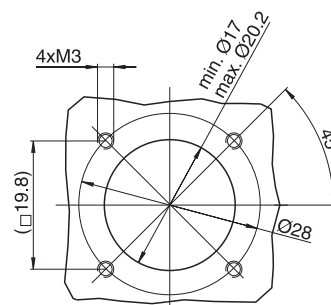
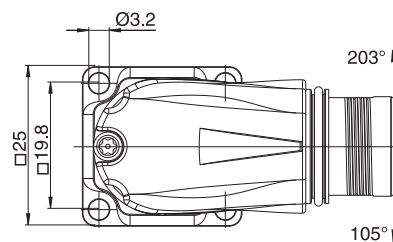
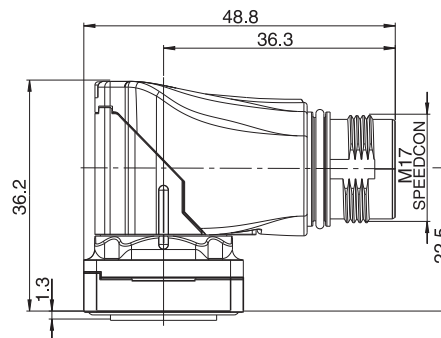
### ST..S1N8AAE00S

Description	No. of pos.	Type	Order No.	Pcs. / Pkt.	Type	Order No.	Pcs. / Pkt.
<b>M17 panel mounting connector, pin</b> angled rotatable, flange dimensions 25 mm x 25 mm mounting bores 4 x $\varnothing$ 3.2 mm	4(3+PE)	ST-3EP1N8AAE00S	1618125	16			
	6(5+PE)	ST-5EP1N8AAE00S	1618127				
	7(6+PE)	ST-6EP1N8AAE00S	1618129				
	8(7+PE)	ST-7EP1N8AAE00S	1618131				
	9(5+3+PE)	ST-8EP1N8AAE00S	1618133				
	17	ST-17P1N8AAE00S	1618123				
<b>M17 panel mounting connector, socket</b> angled rotatable, flange dimensions 25 mm x 25 mm mounting bores 4 x $\varnothing$ 3.2 mm	4(3+PE)				ST-3ES1N8AAE00S	1618126	16
	6(5+PE)				ST-5ES1N8AAE00S	1618128	
	7(6+PE)				ST-6ES1N8AAE00S	1618130	
	8(7+PE)				ST-7ES1N8AAE00S	1618132	
	9(5+3+PE)				ST-8ES1N8AAE00S	1618134	
	17				ST-17S1N8AAE00S	1618124	
<b>Contacts</b>		Male crimp contacts order separately (see product catalog)			Female crimp contacts order separately (see product catalog)		

The 17-pos. version is exclusively for signal transmission.

#### Type description

	ST-	3E	P1	N	8A	AE	00	S
<b>ST Series</b> M17 signal/ power connectors								
<b>No. of positions</b>								
3E 4(3+PE)								
5E 6(5+PE)								
6E 7(6+PE)								
7E 8(7+PE)								
8E 9(5+3+PE)								
17E 17								
<b>Contact type/numbering</b>								
P1 Male (pin)/standard								
S1 Female (socket)/standard								
<b>Coding</b>								
N N coding 0°								
<b>Contact connection</b>								
8A Crimp connection								
<b>Housing design</b>								
AE Panel mounting connector angled rotatable, flange dimensions 25 mm x 25 mm, mounting bores $\varnothing$ 3.2 mm								
<b>Cable seal</b>								
00 No cable seal								
<b>Locking thread</b>								
S SPEEDCON								



Installation dimensions  
ST..EP1N8AAE00S, ST..ES1N8AAE00S