

Signal Connectors Series TU Bayonet – easy and fast to handle

The UC product series of Coninvers has been known for years, well established and recognized. The extended cable dia. range up to 14,5 mm with a universal cable clamp and a universal shielding concept differentiates this product from the RC standard series.

The UC series is now going to be extended by employing a bayonet locking rather than the typically used threaded version with a coupling nut. This change forms now the new product series called "TU".



New TU Series: bayonet coupling, extended cable diameter range up to 14,5 mm, universal shielding

Products Series TU

- | | | |
|--|-----------------|--|
| Cable connector straight: | Style 8U | Receptacle, rear mounting, axial/radial sealing, |
| Cable connector angled: | Style TU | mounting threading 4 x M3: Style 4 |
| Cable connecting receptacle straight: | Style 9U | Receptacle, rear mounting, axial/radial sealing |
| Receptacle, front mounting, axial sealing: | Style W | mounting bores 4 x Ø 3,2: Style 5 |
- Otherwise the product specifications of the UC series apply.

Product Features - Series TU

- Smooth but robust Bayonet locking
- Reproducible and constant locking force
- Availability of the entire scope of pole configurations clock/counterclockwise, sockets/pins alternatively, crimp, solder, screw contact termination
- Robust, suitable for rude industrial application environments

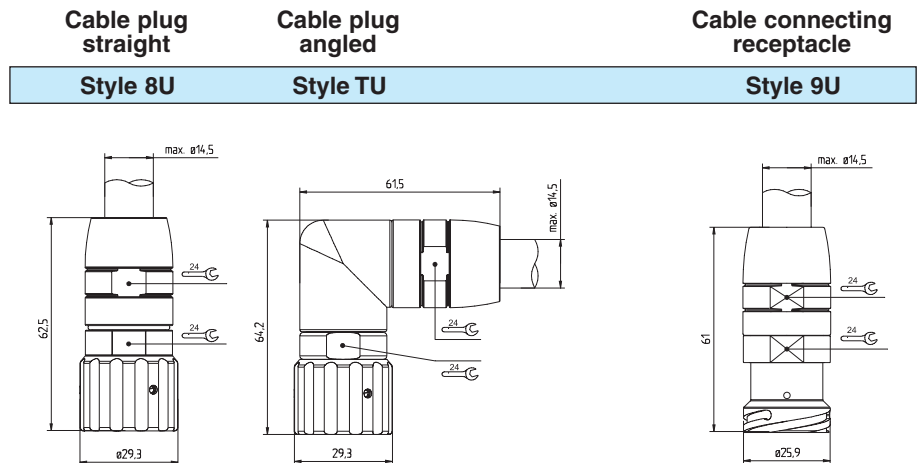
How about the existing Bayonet TC series ?

This product line, based on the M23 signal connector standard product series, continues to remain available as long as there is a customer demand. However, for new product designs we recommend the new TU series. In a long run this series is going to replace the TC series.

Product Availability

Availability is sheduled for Q2 2003.

- Connectors Series TU with bayonet coupling
- Cable inlet max. Ø 14,5 mm
- EMI version
- Protection class IP 67



- Receptacles Series TU with bayonet coupling
- For EMI protection
- Gasket or O-ring

