



Electrical Drives

ConPower Power Connectors

ConPower The High-Speed Power Connection

With ConPower power connectors, you can connect your drives to the electrical power supply fast and with no fuss; with transmission capacities of up to 150 A and 630 V.

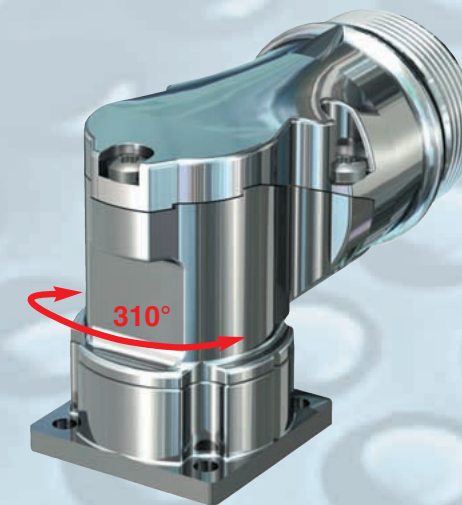
A plus in the field of flexibility are the new male and female contacts. They cover large crimping and connection cross section ranges. For high insertion and withdrawal cycles – up to 10 000 – as well as for machine processing, there are also stamped/rolled crimp contacts in the ConPower range supplied in strip form.

Crimp – Clip – Go!

Together with the very wide clamping ranges for shielded cables, ConPower is an ideal match for the requirements of your power connection.

Save time during assembly

Extremely simple and time-saving handling makes the power connectors particularly attractive. With the stamped crimp contacts, the ConPower P30 connectors can also be used where transmission capacity and high insertion and withdrawal cycles of up to 10 000 is required.

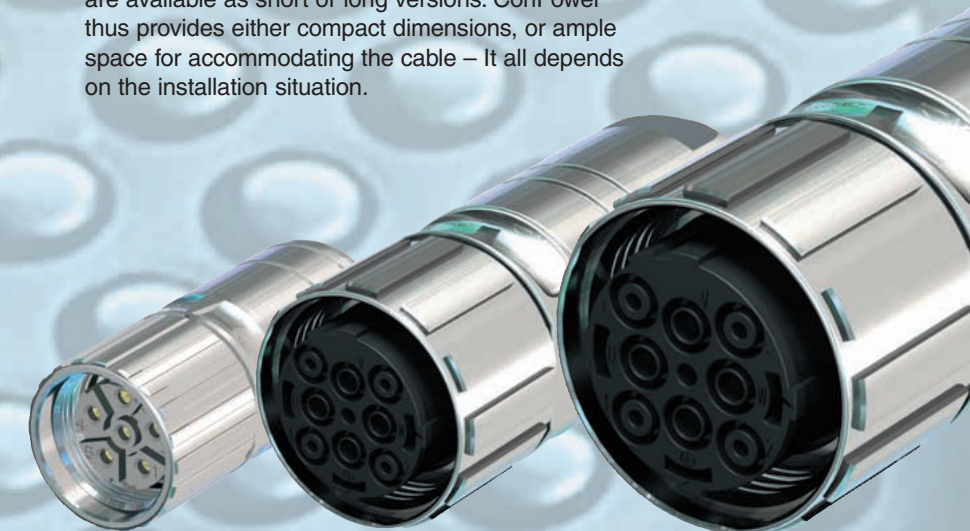
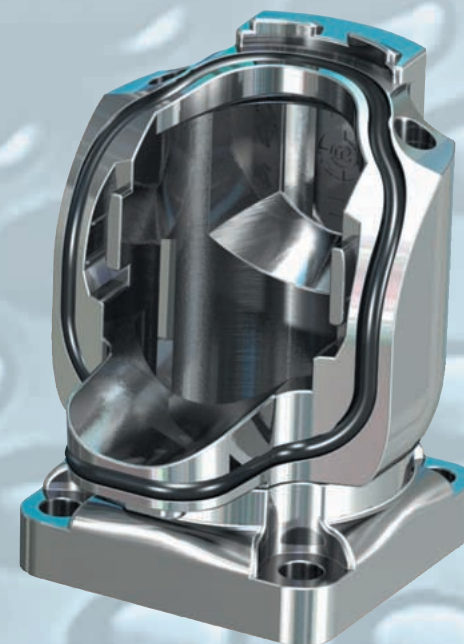


Our rotary connection avoids those compromising situations

The rotating mechanism allows the cable entry direction to be adjusted anywhere in the range of 310°. The sturdy metallic construction ensures high operational availability over the entire temperature range, even where rotation is frequent.

Complete Power Range

Cable connectors and cable connecting receptacles are available as short or long versions. ConPower thus provides either compact dimensions, or ample space for accommodating the cable – It all depends on the installation situation.



ConPower P30:
30 A / 630 V
5+PE / 4+3+PE

ConPower P70:
70 A / 630 V
2+3+PE / 4+3+PE

ConPower P150:
150 A / 630 V
2+3+PE / 4+3+PE

Electrical Drives ConPower Power Connectors

Fax Hotline: +49 (0) 70 32 / 92 74 - 330

- I would like to receive further information on ConPower power connectors:

- I would like a personal consultation.
Please arrange a date.

Name

Company

Department

Address/P.O. Box

Postal Code/City

Phone/Fax

e-mail

- In Stock Versions Catalog
Circular Connectors Drive Applications
Available in:
German, English,
French, Italian



- In Stock Versions Catalog
Circular Connectors Signal and Universal
Available in:
German, English,
French, Italian



- Overview
Competence Center Industrial Cabling
Available in:
German



- New Products 2005**
Available in:
German, English



Please send me:

- CD-ROM** Coninvers Catalogs.

Coninvers GmbH
Heisenbergstr. 1
D-71083 Herrenberg, Germany
Phone: +49 (0) 70 32/92 74-0
Fax +49 (0) 70 32/92 74-330
www.coninvers.com
info@coninvers.com

CONINVERS
A Company of the Phoenix Contact Group