

# ConPower P20 Accessories

The Coninvers connectors are designed in such a way that no tools are necessary for assembly or dismantling. The exception is the release tool for those contact carriers that are engaged in the housing without any rear support. These are removed from the plug-in side with a simple release tool.



Removal tool for contact carriers to be snapped in  
**ST-Z0001**



Square mounting flange for cable connectors and cable connecting receptacles for wall mounting  
**ST-Z0002 ... ST-Z0005**

Description
<b>Removal tool</b> for P20 panel mounting connectors with contact carrier for snapping in from the device side
<b>Square mounting flange metal with O-ring seal</b> for P20 cable connectors and cable connecting receptacles for wall mounting 4 x Ø 2.7 mm 4 x M3
<b>Square mounting flange metal without seal</b> for P20 cable connectors and cable connecting receptacles for wall mounting 4 x Ø 2.7 mm 4 x M3

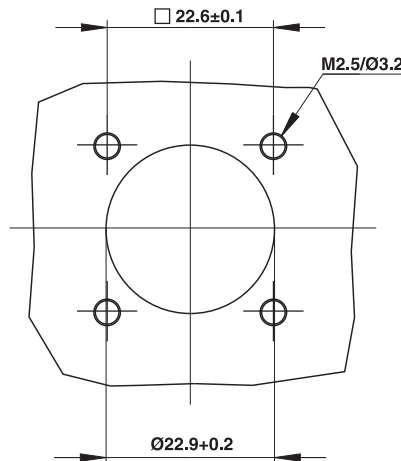
Type	Order No.	Pcs. Pkt.
ST-Z0001	16 07 77 0	1
ST-Z0002 ST-Z0003	16 07 77 1 16 07 77 2	40
ST-Z0004 ST-Z0005	16 07 77 3 16 07 77 5	40

Type	Order No.	Pcs. Pkt.
ST-Z0002 ST-Z0003	16 07 77 1 16 07 77 2	40
ST-Z0004 ST-Z0005	16 07 77 3 16 07 77 5	40

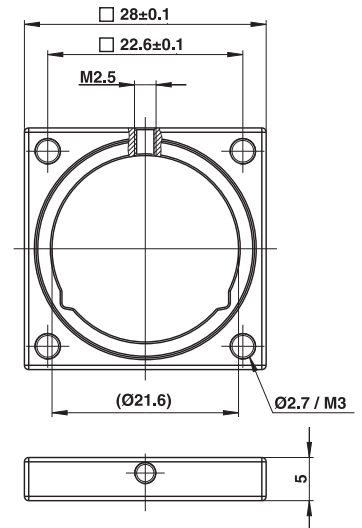
The flange is used for cable connectors and cable connecting receptacles. The product range is thereby supplemented with connectors as wall bushings in a simple way.

The flange can be pushed over the connector from the front as well as from the back. It is fixed in place on the connector housing using a screw.

### Installation dimensions



For insulating wall mounting, plastic mounting flanges are available on request.



### Screw wrench for adapter cap

There is a special screw wrench available for screwing the adapter cap on cable connectors and cable connecting receptacles. The tool can be used with commercially available torque wrenches for tightening the adapter caps with the required tightening torque.



Special screw wrench size 19 for screwing the adapter tight  
**ST-Z0012**

Description
<b>Special size 19 screw wrench</b> for ConPower P20 cable connectors and cable connecting receptacles for screwing the adapter tight

Type	Order No.	Pcs. Pkt.
ST-Z0012	16 13 66 7	1

# ConPower F30 Accessories

The Coninvers connectors are designed in such a way that no tools are necessary for assembly or dismantling. The exception is the release tool for those contact carriers that are engaged in the housing without any rear support. These are removed from the plug-in side with a simple release tool.



Removal tool for contact carriers to be snapped in  
**RF-Z0001**



Square mounting flange for cable connectors and cable connecting receptacles for wall mounting  
**RF-Z0003**

Description	Type	Order No.	Pcs. Pkt.
<b>Removal tool</b> for F30 panel mounting connectors with contact carrier for snapping in from the device side	RF-Z0001	16 07 90 4	1
<b>Square mounting flange metal without seal</b> for F30 cable connectors and cable connecting receptacles for wall mounting			40

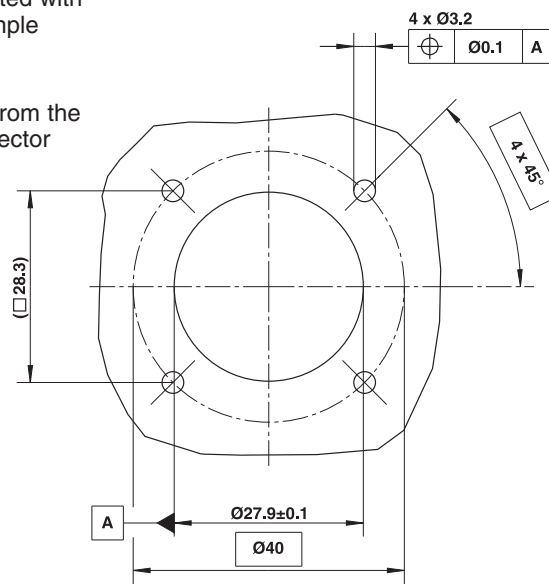
Type	Order No.	Pcs. Pkt.
RF-Z0003	16 07 90 5	40

Type	Order No.	Pcs. Pkt.
RF-Z0003	16 07 90 5	40

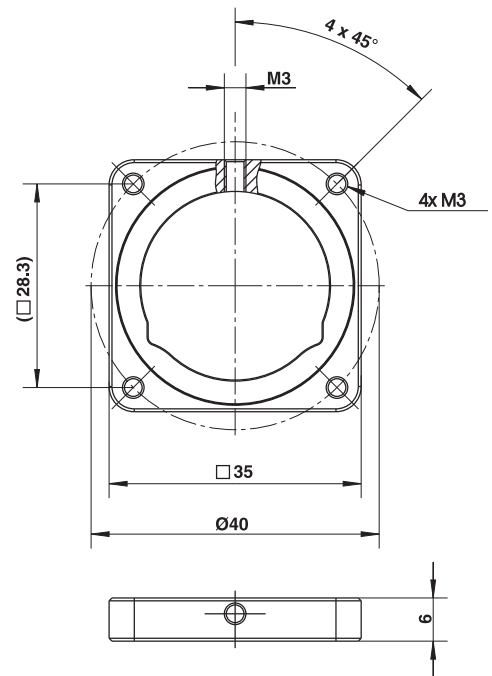
The flange is used for cable connectors and cable connecting receptacles. The product range is thereby supplemented with connectors as wall bushings in a simple way.

The flange can be pushed over the connector from the front as well as from the back. It is fixed in place on the connector housing using a screw.

### Installation dimensions



For insulated wall mounting, plastic mounting flanges are available on request.



### Screw wrench for adapter cap

There is a special screw wrench available for screwing the adapter cap on cable connectors and cable connecting receptacles. The tool can be used with commercially available torque wrenches for tightening the adapter caps with the required tightening torque.



Special screw wrench size 24 for screwing the adapter tight

Description	Type	Order No.	Pcs. Pkt.
<b>Special size 24 screw wrench</b> for ConPower F30 cable connectors and cable connecting receptacles for screwing the adapter tight	RF-Z0007	16 14 34 7	1

Type	Order No.	Pcs. Pkt.
RF-Z0007	16 14 34 7	1

Type	Order No.	Pcs. Pkt.

# ConPower P70 / P150 Accessories

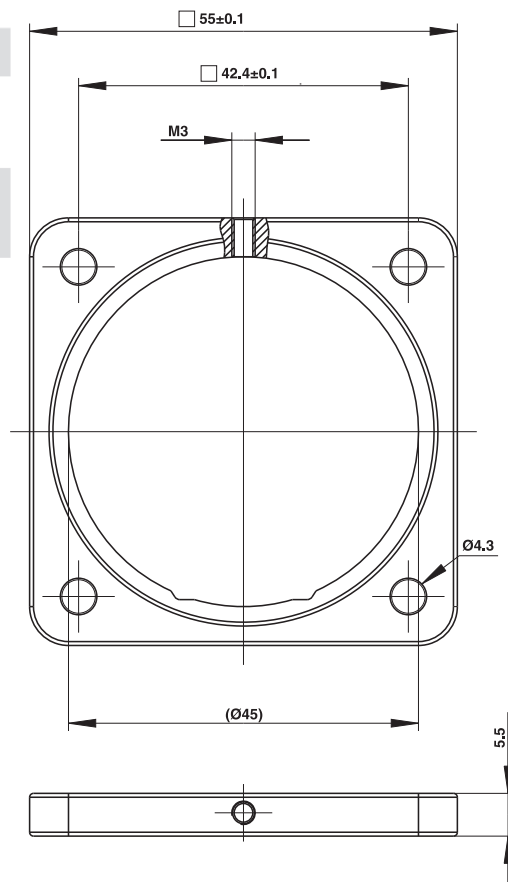
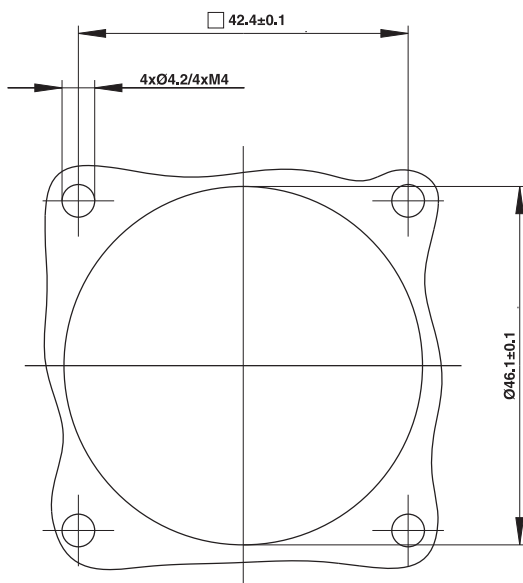
The flange is used for P70 cable connectors and cable connecting receptacles with SPEEDCON locking and long versions. The product range is thereby supplemented with connectors as wall bushings in a simple way. The flange can be pushed over the connector from the front as well as from the back. It is fixed in place on the connector housing using a screw.



Square mounting flange  
for wall mounting  
**SM-Z0003, SM-Z0004**

Description	Type	Order No.	Pcs. Pkt.
<b>Square mounting flange metal with O-ring seal</b> for P70 cable connectors / cable connecting receptacles for wall mounting	SM-Z0003	16 07 93 5	10
<b>Square mounting flange metal without O-ring seal</b> for P70 cable connectors / cable connecting receptacles for wall mounting	SM-Z0004	16 07 93 7	10

### Installation dimensions



### Screw wrench for adapter cap

There is a special screw wrench available for screwing the adapter cap on cable connectors and cable connecting receptacles. The tool can be used with commercially available torque wrenches for tightening the adapter caps with the required tightening torque.



Special screw wrench size 41  
for screwing the adapter tight



Special screw wrench size 55  
for screwing the adapter tight

Description	Type	Order No.	Pcs. Pkt.	Type	Order No.	Pcs. Pkt.
<b>Special size 41 screw wrench</b> for ConPower P70 cable connectors and cable connecting receptacles for screwing the adapter tight (SPEEDCON versions and long housings)	SM-Z0012	16 14 34 9	1			
<b>Special size 55 screw wrench</b> for ConPower P150 cable connectors and cable connecting receptacles for screwing the adapter tight				SL-Z0016	16 14 34 8	1

# ConPower Connectors Accessories

A range of protective caps is available for ConPower connectors to protect the contact elements in the case of a separate connection.

This prevents the ingress of dust and moisture.

The wire is fixed to the housing panel and prevents the protective cap from being lost.



Plastic dust protection caps

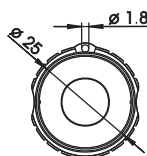


Metal dust protection caps

## ST-Z..., SF-Z..., SM-Z..., SL-Z..., RC-Z...

## SC-Z..., RC-Z....

Description	Degree of protection in locked state	Type	Order No.	Pcs. Pkt.	Type	Order No.	Pcs. Pkt.
Plastic dust protection cap for P20 connectors with external thread	IP40	ST-Z0006	16 07 77 6	10			
Plastic dust protection cap for P20 connectors with SPEEDCON and M17 knurled nut	IP40	ST-Z0007	16 07 77 7	10			
Plastic dust protection cap with eye for P30 power connectors with M23 external thread	IP40	SF-Z0019	16 07 44 9	10			
Plastic dust protection cap for P30 power connectors with M23 knurled nut	IP40	RC-Z2058	16 04 22 3	10			
Plastic dust protection cap for F30 feedback (signal) connectors with M23 external thread	IP40	RC-Z2059	16 04 22 5	10			
Plastic dust protection cap for F30 feedback (signal) connectors with M23 knurled nut	IP40	RC-Z2058	16 04 22 3	10			
Antistatic plastic dust protection cap (black) for F30 and P30 connectors with M23 knurled nut	IP40	RC-Z2468	16 11 79 6	10			
Antistatic plastic dust protection cap (black) for F30 and P30 connectors with M23 external thread	IP40	RC-Z2469	16 11 79 7	10			
Plastic dust protection cap for P70 power connectors with M40 knurled nut	IP40	SM-Z0001	16 05 86 6	10			
Plastic dust protection cap for P150 power connectors with M58 external thread	IP40	SL-Z0005	16 07 92 6	10			
Metal dust protection cap for P30 power connectors with M23 external thread	IP67				SC-Z2319	16 05 45 6	10
Metal dust protection cap with steel wire for P30 power connectors with M23 external thread	IP67				SC-Z2320	16 05 45 7	10
Metal dust protection cap with steel wire for P30 power connectors with M23 knurled nut	IP67				SC-Z2322	16 05 45 9	10
Metal dust protection cap for F30 feedback (signal) connectors with M23 external thread	IP67				RC-Z2104	16 04 26 0	10
Metal dust protection cap with steel wire for F30 feedback (signal) connectors with M23 external thread	IP67				RC-Z2068	16 04 23 6	10
Metal dust protection cap with steel wire for F30 feedback (signal) connectors with M23 knurled nut	IP67				RC-Z2062	16 04 22 8	10



**SF-Z0019**  
Eye for fastening wire

## ConPower M23 Connectors Accessories



Torque screwdriver for M23 connectors with knurled nut

**SF-Z0028**



Replacement sickle spanner for torque screwdrivers

**SF-Z0027**

Description	Type	Order No.	Pcs. Pkt.	Type	Order No.	Pcs. Pkt.
<b>Torque screwdriver</b> incl. sickle spanner for M23 connectors with knurled nut	SF-Z0028	16 07 45 6	1			
<b>Replacement sickle spanner</b> for torque screwdrivers				SF-Z0027	16 07 45 5	1

This tool is specially adapted to the Coninvers M23 circular connectors and makes it easier to securely screw in and release the knurled nut even in confined situations.

The tool consists of a sickle spanner and a torque screwdriver with a permanently set torque of 2.5 Nm.

## ConPower P30 Accessories

ConPower P30 cable connectors and cable connecting receptacles with extra thread M20 x 1.5 can be fitted with an IP68 cable gland for special requirements.



IP68 cable gland for P30 connectors with extra thread

**RC-Z2417**

Description	Cable diameter [mm]	Type	Order No.	Pcs. Pkt.			
<b>IP 68 cable gland</b> for P30 power connectors with extra thread M20 x 1.5	9 - 13	RC-Z2417	16 07 01 9	10			